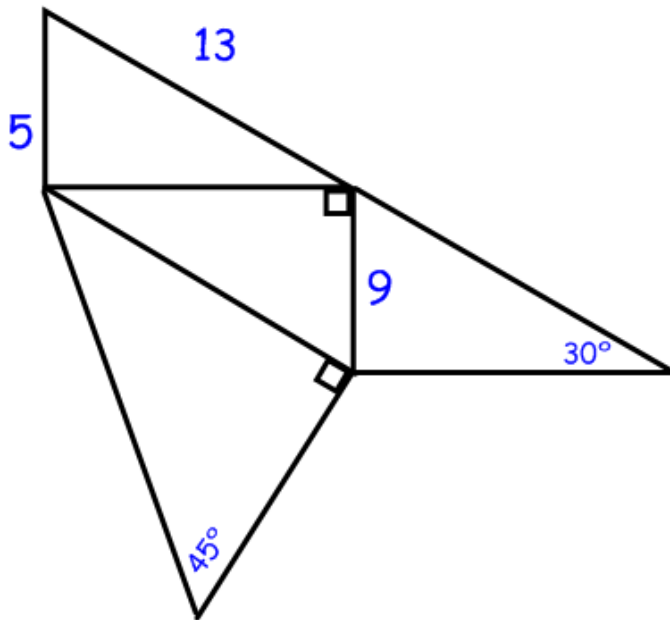


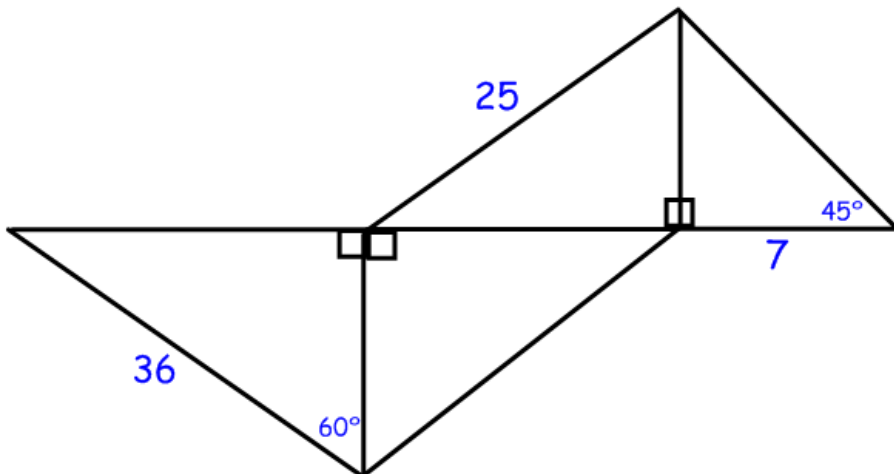
Name _____

Fill in the lengths of the missing sides:



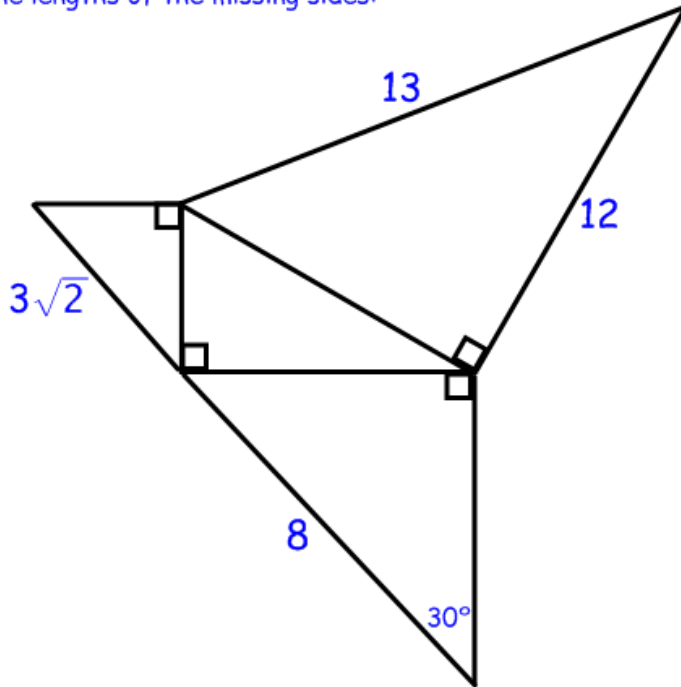
Name _____

Fill in the lengths of the missing sides:



Name _____

Fill in the lengths of the missing sides:



Name _____

Fill in the lengths of the missing sides:

